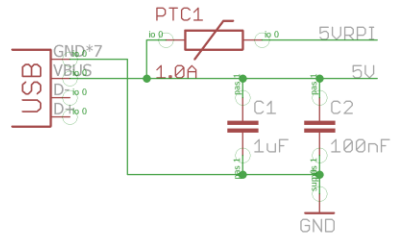
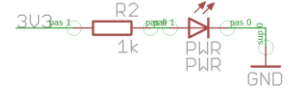


Pibrella rev 4

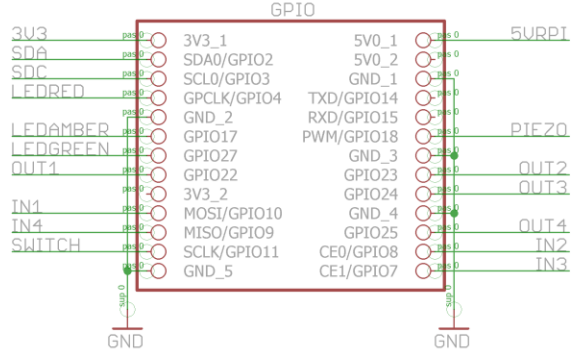
External Micro B USB power source



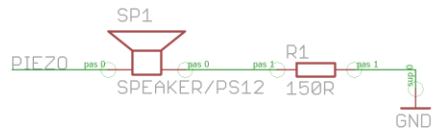
Power indicator



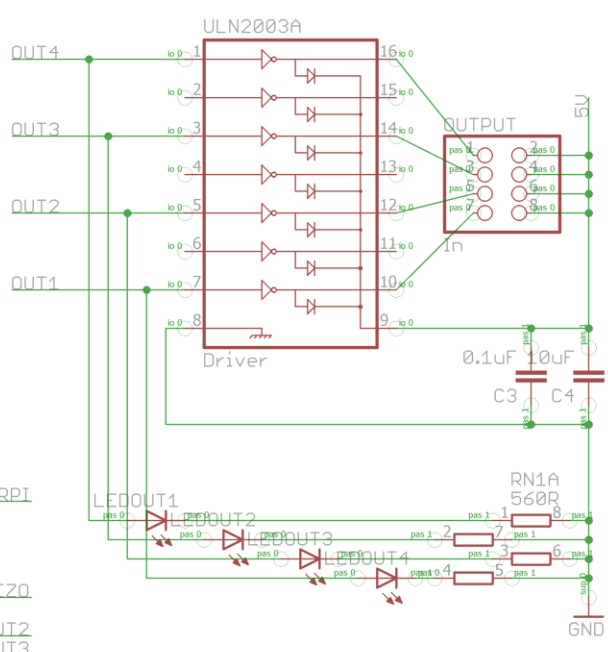
Raspberry Pi GPIO header



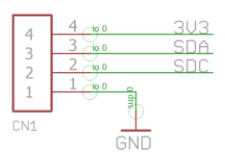
Piezo buzzer



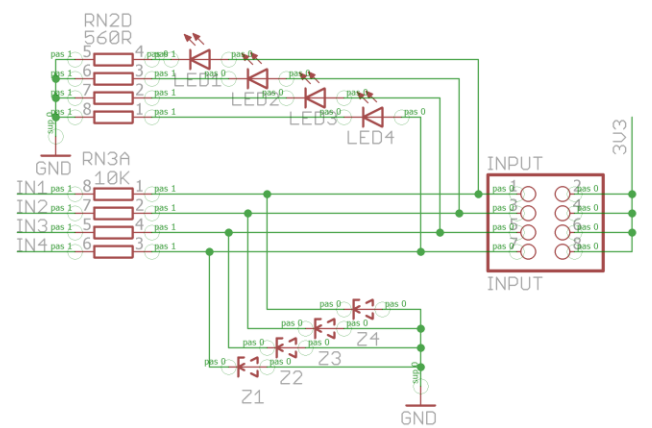
Output channels with indicator LEDs



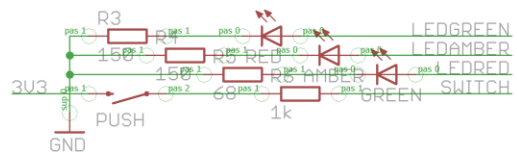
I2C header



Input channels with indicator LEDs



Built in switch and traffic light LEDs



Cyntech
 pibrella
 03/09/2015 12:18
 Sheet: 1/1

